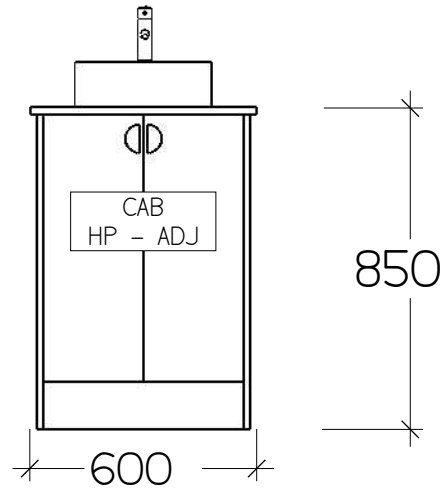
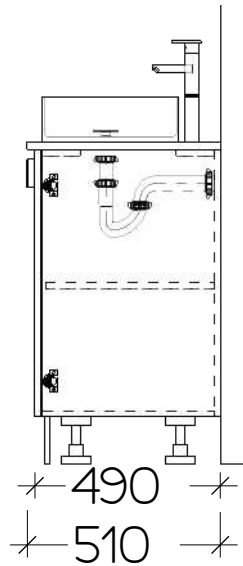


NUMO DECORATIVE 600 VANITY

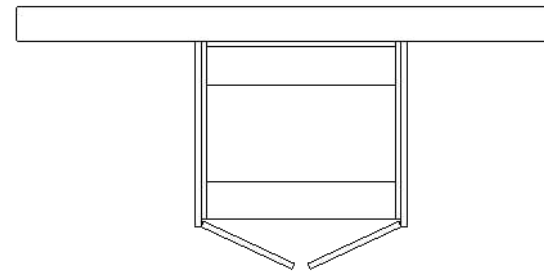
FRONT VIEW



SIDE VIEW



TOP VIEW



Australian Made | Made in Melbourne
 Order online at www.tamarajane.kitchens.com.au

VANITY DETAILS

Type of Vanity:	Floor Mounted [Numo Series]		
Vanity SKU:	NumoD600 [Finish Handle Stone Selection]		
Stone Finish:	Engineered Stone [20 mm] (from selected range) One waste hole & tap hole pre-drilled		
Door/Panel Finish:	Polytec Decorative Matt Finish (from selected range)		
Carcass	White Melamine Interior with Adjustable Shelf		
Handles:	Surface Mounted Handle or Fingerpull Bevel Finish		
Total Width:	600 mm	Total Cabinet Height:	705 mm
Total Depth:	510 mm	Total Vanity Height:	850 mm (inc benchtop)
Hardware:	Soft Closing Doors		

LEGEND

CAB	Cabinet	HR	Hinged Right Door
DWR	Drawer	HL	Hinged Left Door
ADJ	Adjustable Shelf		

All measurements in mm. Available as free standing (FS), left wall (LW), right wall (RW) or wall to wall (WW). Designed for Top Mounted Basin Only (not supplied)

Price for Pre-Assembled Cabinet Only - Installation, Delivery & Fixtures Additional.

Drawers requiring provision for waste (subject to site inspection/measure) at additional cost